

Energy savings

Energy savings when installing new windows		Explanation	
U _w -value (old)	3.50 W/(m ² K)	Heating degree days	4,050
U _w -value (new)	0.92 W/(m ² K)	Conversion factor from kilograms in litres of heating oil	1.19
Window surface area	30 m ²	Conversion heating value Wh/kg	11,800
Annual savings on heating oil	1,090 L	Heating efficiency	0.75
Annual carbon dioxide reduction	2.943 kg		

Burglary protection

- Siegenia-Aubi HS Portal 300 with two 2 locking bolts (standard)

Sound insulation

- Lift and slide door currently not tested

Glass thickness

- 33 mm – 52 mm

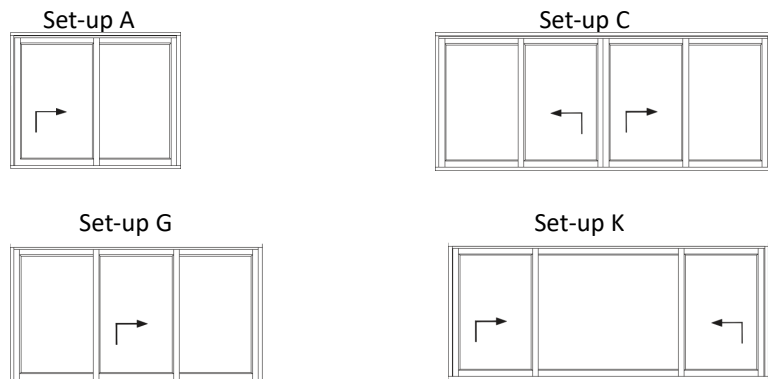
**Colour of fittings
(Handle & finger pull)**

- White
- EV1
- F9
- C33 Medium bronze
- RAL 8022 Black-brown

Other characteristics

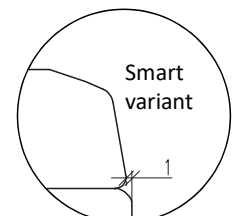
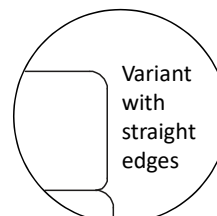
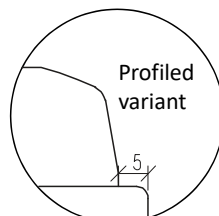
- Top guide rail prepared for SoftClose
- Threshold, weather bar in wood standard 20 mm, optional 50 mm or 90 mm
- Optional, sealing plate for threshold, vertical at bottom or horizontal at front
- Optional, barrier-free threshold
- Optional, thermally insulated enlargement in a 20 mm grid from 40 mm – 360 mm

Available set-ups



Available glazing strips

- Standard: profiled
- Optional: straight edge or smart



Seals

- Meeting stile with double seal
- 2 sealing levels in casement area
- Colour: grey

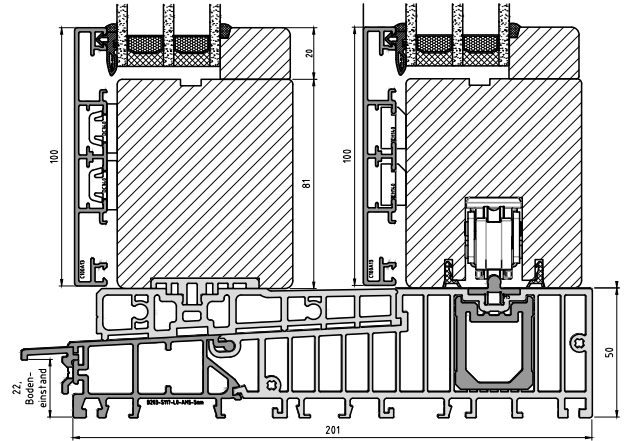
System values

- Air permeability: Class 3 (according to EN 12207)
- Water tightness: Class 4A (according to EN 12208)
- Resistance to wind load: Class B2 (according to EN 12210)

Please note:

The classifications given here are minimum requirements.

Please contact us if higher requirements are necessary.



Fittings

Standard:

- Siegenia-Aubi HS-PORTAL 300
- 2 locking bolts
- Handle and finger pull in colours white, RAL 8022 black-brown, EV1, C33 medium bronze and F9
- Max. weight of casement 300 kg

Optional:

- Fittings up to 400 kg
- Quadruple locking system
- Comfort drive
- Aerocontrol magnetic contact for electronic lock monitoring
- SoftClose, handle side, fixed side or on both sides

Thermal insulation

Thermal conductivity	0.11 W/(m²K)	0.13 W/(m²K)	0.16 W/(m²K)	0.18 W/(m²K)	Thermal conductivity	0.11 W/(m²K)	0.13 W/(m²K)	0.16 W/(m²K)	0.18 W/(m²K)
U _f -value	1.2 W/(m²K)	1.3 W/(m²K)	1.4 W/(m²K)	1.5 W/(m²K)	U _f -value	1.2 W/(m²K)	1.3 W/(m²K)	1.4 W/(m²K)	1.5 W/(m²K)
U _g -value	U _w -values if using aluminium spacers				U _g -value	U _w -values if using KSH/KSD spacers			
1.1 W/(m²K) ***	1.2 W/(m²K)	1.3 W/(m²K)	1.3 W/(m²K)	1.3 W/(m²K)	1.1 W/(m²K) ***	1.2 W/(m²K)	1.2 W/(m²K)	1.2 W/(m²K)	1.3 W/(m²K)
1.0 W/(m²K) ***	1.2 W/(m²K)	1.2 W/(m²K)	1.3 W/(m²K)	1.3 W/(m²K)	1.0 W/(m²K) ***	1.1 W/(m²K)	1.1 W/(m²K)	1.2 W/(m²K)	1.2 W/(m²K)
0.9 W/(m²K) ***	1.1 W/(m²K)	1.2 W/(m²K)	1.2 W/(m²K)	1.2 W/(m²K)	0.9 W/(m²K) ***	1.1 W/(m²K)	1.1 W/(m²K)	1.1 W/(m²K)	1.2 W/(m²K)
0.8 W/(m²K) ***	1.1 W/(m²K)	1.1 W/(m²K)	1.2 W/(m²K)	1.2 W/(m²K)	0.8 W/(m²K) ***	1.0 W/(m²K)	1.1 W/(m²K)	1.1 W/(m²K)	1.1 W/(m²K)
0.7 W/(m²K) ***	1.1 W/(m²K)	1.1 W/(m²K)	1.1 W/(m²K)	1.8 W/(m²K)	0.7 W/(m²K) ***	1.0 W/(m²K)	1.0 W/(m²K)	1.1 W/(m²K)	1.1 W/(m²K)
0.6 W/(m²K) ***	1.0 W/(m²K)	1.1 W/(m²K)	1.1 W/(m²K)	1.1 W/(m²K)	0.6 W/(m²K) ***	0.97 W/(m²K)	1.0 W/(m²K)	1.0 W/(m²K)	1.1 W/(m²K)
0.5 W/(m²K) ***	1.0 W/(m²K)	1.0 W/(m²K)	1.1 W/(m²K)	1.1 W/(m²K)	0.5 W/(m²K) ***	0.93 W/(m²K)	0.96 W/(m²K)	1.0 W/(m²K)	1.0 W/(m²K)
Thermal conductivity	0.11 W/(m²K)	0.13 W/(m²K)	0.16 W/(m²K)	0.18 W/(m²K)	Reference dimensions 3,500 x 2,180 mm				
U _f -value	1.2 W/(m²K)	1.3 W/(m²K)	1.4 W/(m²K)	1.5 W/(m²K)	U _w -value calculated according to EN ISO 10077-1:2010-05 + Cor. 1:2009				
U _g -value	U _w -values if using Swissspacer V				Performance of windows, doors and shutters – Calculation of thermal transmittance – Part 1: General				
1.1 W/(m²K) ***	1.1 W/(m²K)	1.2 W/(m²K)	1.2 W/(m²K)	1.2 W/(m²K)	***	Calculated according to EN 673			
1.0 W/(m²K) ***	1.1 W/(m²K)	1.1 W/(m²K)	1.2 W/(m²K)	1.2 W/(m²K)	0.11 W/(m²K)	Spruce			
0.9 W/(m²K) ***	1.1 W/(m²K)	1.1 W/(m²K)	1.1 W/(m²K)	1.2 W/(m²K)	0.13 W/(m²K)	Pine, European larch, Meranti Light Red Southeast Asia, Eucalyptus RED Grandis, European alder (black alder)			
0.8 W/(m²K) ***	1.0 W/(m²K)	1.1 W/(m²K)	1.1 W/(m²K)	1.1 W/(m²K)	0.16 W/(m²K)	American cherry tree			
0.7 W/(m²K) ***	0.99 W/(m²K)	1.0 W/(m²K)	1.1 W/(m²K)	1.1 W/(m²K)	0.18 W/(m²K)	European oak, steamed beech, European beech, European birch			
0.6 W/(m²K) ***	0.95 W/(m²K)	0.98 W/(m²K)	1.0 W/(m²K)	1.0 W/(m²K)		European maple; Sycamore maple, American walnut			
0.5 W/(m²K) ***	0.92 W/(m²K)	0.95 W/(m²K)	0.99 W/(m²K)	1.0 W/(m²K)					